

## LED Urban lighting

## GIOTTO



CLASSE I

## Power Supply

External driver ON/OFF. Version available on request: DIMMER 1-10V o 0-10V, DALI e DALI2, D4i.

SPD integrated 10kV-10kA

Cable H07 RNF 2x1.5 mm<sup>2</sup> L.50cm.

Temperature -40° +45°

## Controlli

ON-OFF: fixed non-dimmable

MV: Automatic dimming (virtual midnight) with default profile

DALI: DALI 2 digital dimming interface

DI: 1-10V analogue dimming interface

NEMA: possibility to apply NEMA connector

## Applications

Street lighting, car parks, parks, squares, cycle paths, avenues, city centres, etc.

## Colour

Dark Grey RAL 7015

## Decay of the luminous flux

≥100.000 hr L90B10 ≥110.000 hr TM21-L70

## MATERIALS

<b>Body:</b>	Die-cast aluminium alloy UNI EN 46100. Corrosion protection with epoxy primer + salt spray resistant polyester paint.
<b>Pole connection:</b>	Die-cast aluminium alloy UNI EN 46100. Corrosion protection with epoxy primer + salt spray resistant polyester paint
<b>Optic:</b>	Optical PC HT lenses
<b>Cable gland:</b>	In metallo (ottone)
<b>Gasket:</b>	Expanded silicone
<b>Lenses:</b>	Optical PC
<b>Screen:</b>	Tempered extra clear 5 mm glass, resistant to thermal shocks and impacts
<b>External screws:</b>	Stainless steel AISI 304

## TENDER SPECIFICATIONS

The Urban Lighting series designed by Lanzini, becomes the most suitable choice for urban contexts, capable of greatly reducing energy consumption while exponentially increasing the lifetime of lighting solutions, at the same time guaranteeing better safety and visibility in our cities. Urban lighting fitting with die-cast aluminium body in UNI EN 46100 alloy. First layer of epoxy primer + painting with polyester powder, resistant to salt spray, stabilized against UV rays, UV Class I. AISI 304 stainless steel screws. 5 mm extra-clear sodium-calcium type tempered glass, resistant to thermal shock and impacts, 93% guaranteed transparency. Silicone gaskets. On/Off driver with standard virtual midnight (to be programmed when ordering if necessary), voltage 220-240 Vac 50/60 Hz (available on request: Dimmer, DALI, DALI2, D4i), connector for ZHAGA management/control system available on request. Optical group with 36 LEDs size 5050. High colour rendering index CRI80 (CRI 70, CRI 90 available on request). Standard colour temperature natural white 4000K (available on request: 2700K, 3000K, 5000K, 5700K). MacAdam ellipses (Standard Deviation Colour Matching): 3. Protected against mechanical shocks up to 10 Joule IK09, RoHS approval, IP66, CE conformity, luminaire in CLII (CLI available on request). Energy classes; IPEA\*: A++ , Ministerial Decree 27 September 2017 paragraph 4.2.3.8 energy performance; EPREL\*: D, EU 2017/1369, 2019/2015, 2019/2020, 2021/340 and 2021/341. European high quality mark ENEC. Reference Norms: EN60598-1, EN60598-2-3, EN62471, EN55015, EN61547, EN61000-3.2, EN61000-3-3. LED luminous efficiency LED 5050: 184 l/W Ta=25°C. Photobiological risk group: RG0 lighting devices that do not present photobiological risk according to the EN62471 standard (ask the manufacturer for the distance from the observation point, if necessary). Operating temperature -40°/+50°. Optical unit life: ≥100.000 hr L90B10 ≥110.000 hr TM21-L70 Ta=25°C. Warranty: 5 years.

## Optical group

PCBA 36 LED size 5050

CRI ≥ 80, available on request: CRI70, CRI90

4000K, available on request: 2700K, 3000K, 5000K, 5700K

MacAdam ellipses (Standard Deviation Colour Matching): 3

LED luminous efficiency: 180 l/W

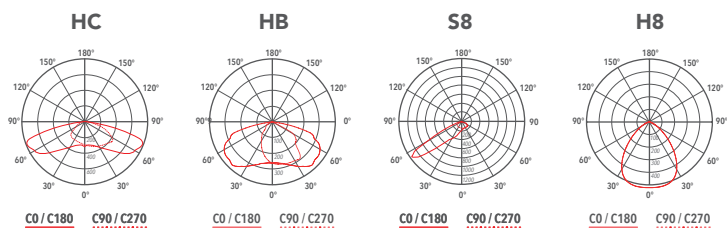


## Exposed surface

Front surface 0.12 m<sup>2</sup> - 0.13 m<sup>2</sup>Lateral surface 0.04m<sup>2</sup> - 0.07 m<sup>2</sup>

Photometric curves

Traffic roundabouts and squares      Urban lighting

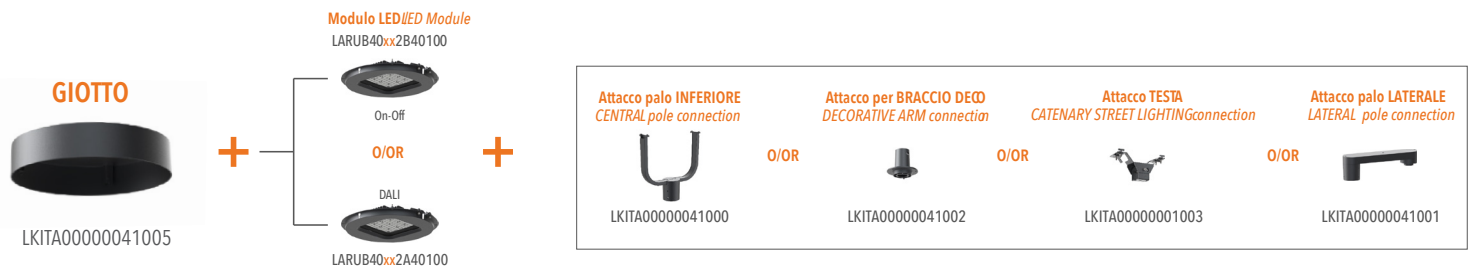


Codice	Sorgente	Potenza	Lm (Output)	Lm (Tc=25°)	Temperatura	CRI	Ottiche	Colore	Controllo
LARUB40H82B40030	LED	30W	4703 lm	5400 lm	4000 K	≥80	H8(90°)	Dark Grey	-
LARUB40H82A40030	LED	30W	4703 lm	5400 lm	4000 K	≥80	H8(90°)	Dark Grey	DALI
LARUB40H82D40030	LED	30W	4703 lm	5400 lm	4000 K	≥80	H8(90°)	Dark Grey	DIMMER
LARUB40HB2B40030	LED	30 W	4019 lm	5400 lm	4000 K	≥80	HB	Dark Grey	-
LARUB40HB2A40030	LED	30 W	4019 lm	5400 lm	4000 K	≥80	HB	Dark Grey	DIMMER
LARUB40HB2D40030	LED	30 W	4019 lm	5400 lm	4000 K	≥80	HB	Dark Grey	DALI
LARUB40HC2B40030	LED	30 W	3591 lm	5400 lm	4000 K	≥80	HC	Dark Grey	-
LARUB40HC2A40030	LED	30 W	3591 lm	5400 lm	4000 K	≥80	HC	Dark Grey	DIMMER
LARUB40HC2D40030	LED	30 W	3591 lm	5400 lm	4000 K	≥80	HC	Dark Grey	DALI
LARUB40S82B40030	LED	50 W	3791 lm	9000 lm	4000 K	≥80	S8(55°)	Dark Grey	-
LARUB40S82A40030	LED	50 W	3791 lm	9000 lm	4000 K	≥80	S8(55°)	Dark Grey	DIMMER
LARUB40S82D40030	LED	50 W	3791 lm	9000 lm	4000 K	≥80	S8(55°)	Dark Grey	DALI
LARUB40H82B40050	LED	50 W	7499 lm	9000 lm	4000 K	≥80	H8(90°)	Dark Grey	-
LARUB40H82A40050	LED	50 W	7499 lm	9000 lm	4000 K	≥80	H8(90°)	Dark Grey	DALI
LARUB40H82D40050	LED	50 W	7499 lm	9000 lm	4000 K	≥80	H8(90°)	Dark Grey	DIMMER
LARUB40HB2B40050	LED	50 W	6425 lm	9000 lm	4000 K	≥80	HB	Dark Grey	-
LARUB40HB2A40050	LED	50 W	6425 lm	9000 lm	4000 K	≥80	HB	Dark Grey	DIMMER
LARUB40HB2D40050	LED	50 W	6425 lm	9000 lm	4000 K	≥80	HB	Dark Grey	DALI
LARUB40HC2B40050	LED	50 W	5692 lm	9000 lm	4000 K	≥80	HC	Dark Grey	-
LARUB40HC2A40050	LED	50 W	5692 lm	9000 lm	4000 K	≥80	HC	Dark Grey	DIMMER
LARUB40HC2D40050	LED	50 W	5692 lm	9000 lm	4000 K	≥80	HC	Dark Grey	DALI
LARUB40S82B40050	LED	50 W	6062 lm	9000 lm	4000 K	≥80	S8(55°)	Dark Grey	-
LARUB40S82A40050	LED	50 W	6062 lm	9000 lm	4000 K	≥80	S8(55°)	Dark Grey	DIMMER
LARUB40S82D40050	LED	50 W	6062 lm	9000 lm	4000 K	≥80	S8(55°)	Dark Grey	DALI
LARUB40H82B40100	LED	100 W	13004 lm	18000 lm	4000 K	≥80	H8(90°)	Dark Grey	-
LARUB40H82A40100	LED	100 W	13004 lm	18000 lm	4000 K	≥80	H8(90°)	Dark Grey	DALI
LARUB40H82D40100	LED	100 W	13004 lm	18000 lm	4000 K	≥80	H8(90°)	Dark Grey	DIMMER
LARUB40HB2B40100	LED	100 W	10785 lm	18000 lm	4000 K	≥80	HB	Dark Grey	-
LARUB40HB2A40100	LED	100 W	10785 lm	18000 lm	4000 K	≥80	HB	Dark Grey	DIMMER
LARUB40HB2D40100	LED	100 W	10785 lm	18000 lm	4000 K	≥80	HB	Dark Grey	DALI

Lanzini indicates in its catalogues the luminous flux output of the device with a tolerance of ±10% compared to the indicated value. The W indication of the total power absorbed by the LED system + power supply not greater than 10% of the indicated value.

<b>LARUB40HC2B40100</b>	LED	100 W	9519 lm	18000 lm	4000 K	≥80	HC	Dark Grey	-
<b>LARUB40HC2A40100</b>	LED	100 W	9519 lm	18000 lm	4000 K	≥80	HC	Dark Grey	DIMMER
<b>LARUB40HC2D40100</b>	LED	100 W	9519 lm	18000 lm	4000 K	≥80	HC	Dark Grey	DALI
<b>LARUB40S82B40100</b>	LED	100 W	10207 lm	18000 lm	4000 K	≥80	S8(55°)	Dark Grey	-
<b>LARUB40S82A40100</b>	LED	100 W	10207 lm	18000 lm	4000 K	≥80	S8(55°)	Dark Grey	DIMMER
<b>LARUB40S82D40100</b>	LED	100 W	10207 lm	18000 lm	4000 K	≥80	S8(55°)	Dark Grey	DALI

PRODUCT CONFIGURATION



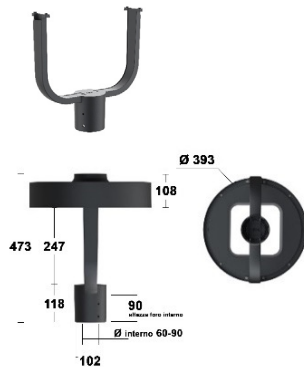
**LATERAL pole connection**

LKITA00000041001



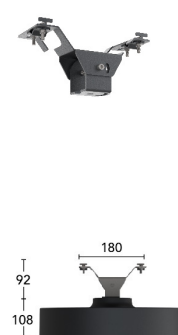
**CENTRAL pole connection**

LKITA00000041000



**CATENARY STREET LIGHTING cob-**

LKITA00000001003



Lanzini indicates in its catalogues the luminous flux output of the device with a tolerance of ±10% compared to the indicated value. The W indication of the total power absorbed by the LED system + power supply not greater than 10% of the indicated value.